



INSTALLATION & OPERATING INSTRUCTIONS

Tekapo Freestanding Outdoor Multi Purpose Fire



CONTENTS

General Information.....2
 Specifications.....3
 Installation.....3-4
 Operation.....5
 Maintenance and care.....6
 Warranty.....7

RETAIN THESE INSTRUCTIONS FOR FUTURE REFERENCE

Important: the installer or seller must leave these instructions with the purchaser



GENERAL INFORMATION

The Kent Tekapo Outdoor Fire is the perfect choice when you want more than just a fire to add warmth and ambience to your outdoor area. It features a built-in oven at the top with pizza stone, a stainless steel grill and thick steel hotplate. All you need for baking, barbecuing or roasting. The bottom tier acts as a warming or storage compartment. Discover the way different woods infuse your food with flavour by cooking directly over the open fire or embers. Fruit wood is great for cooking pork, ham and poultry. Cherry woods are great for darker meats. Experiment with wood types and learn which wood best works for your needs.

Your Kent Tekapo Outdoor Fire comes in 4 parts; Base frame, Firebox, Hood, and standard flue system with cowl. It comes with a stainless-steel fire box cover that protects your fire place while not in use. Chimney extensions are also available if required from your Kent stockist.

1. This Kent freestanding fire must be installed according to these instructions. Do not allow any makeshift or compromising installation methods as this could result in a dangerous situation.
2. It is the responsibility of the installer to ensure the installation of this fire complies with local body requirements. If the fire is to be permanently placed within its own height to any residential building or to any legal boundary, a building consent from your local authority may be required before installing this wood fire.
3. The clearances given in these instructions are necessary to prevent overheating of nearby combustibles. They may not be reduced without authorisation.
4. **IMPORTANT:** Read all instructions carefully before starting installation. Failure to follow these instructions could result in a fire hazard and may void warranty.

RETAIN THESE INSTRUCTIONS FOR FUTURE REFERENCE

SPECIFICATIONS

Construction: 4mm Matt Black Mild steel

Dimensions (mm): 1470H x 955 W x 510 D

Weight (kg): 230

Pizza Stone (mm): 295 x 295

Stainless Steel Grill (mm): 320 x 480

Hotplate (mm): 320 x 320

TEKAPO INSTALLATION

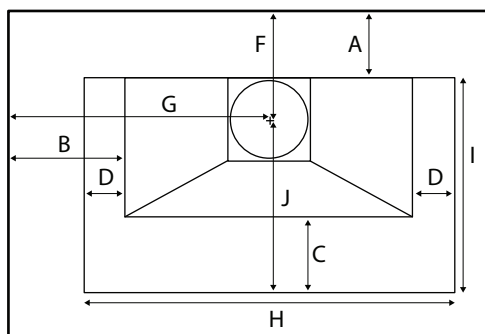
Points to consider before Installation, and Assembly.

- Location of the fire. The position of the fire will have an effect on how it operates, consideration such as wind, boundary fences and buildings, even trees will have to be taken into account. It must sit on a non-combustible base such as concrete, stone, gravel or brick. Putting it on a wood deck can be dangerous if embers fly out.
- Care needs to be taken that the flue termination is in the best position as wind, and gusts that hit it may overcome the cowl, and draft back down the flue can cause smoke to spill out of the fire mouth. Try not to put your outdoor fire close to your home exterior or other substantial structure where swirling eddy currents are likely there.

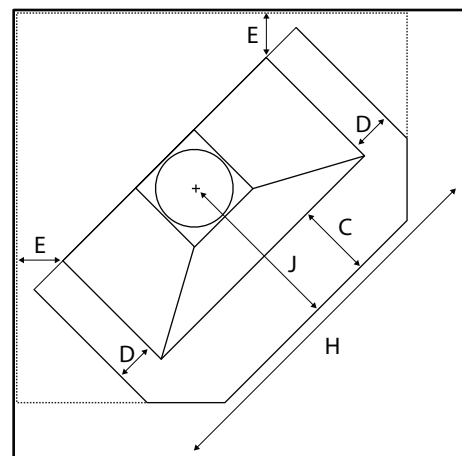
Select a location considering the minimum clearance required, (Refer Table 1) and in a location you can see it at all times. Never leave a fire unattended while in operation.

An insulating floor protector is not required for this fire, but the fire base frame must sit on a continuous layer of non-combustible material extending out a minimum of 500mm, in front of the fireplace and 200mm to each side of the appliance, that is capable of withstanding the weight of the fire, fuel and any other object in close proximity. It must have a 300mm clearance from the back of the fire to any other object.

Wall Clearances



Corner Clearances



Minimum Installation Clearances (mm)									
A	B	C	D	E	F	G	H	I	J
300	1000	500	200	300	484	1470	1340	950	826

TABLE 1

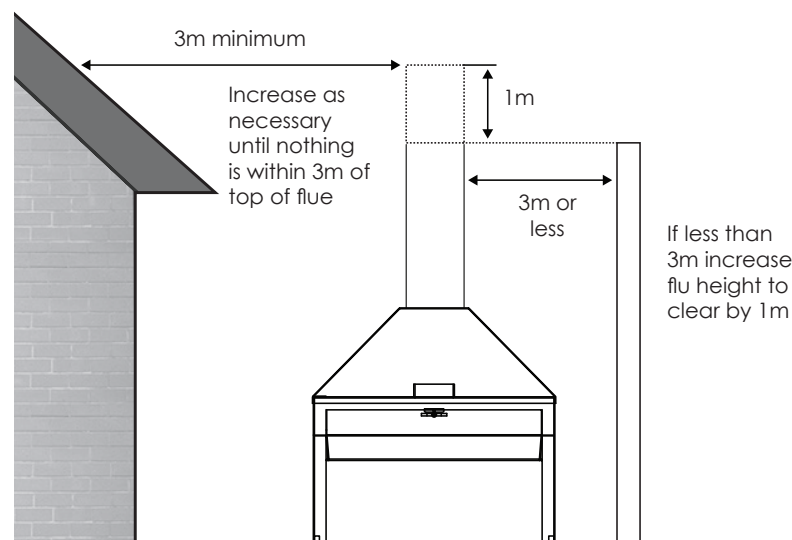
FIRE BOX INSTALLATION

1. Once the non-combustible base or floor protector is prepared and or in place. Sit the base frame in the desired position and fix with 8mm Ø bolts and washers, coach screws or “dyna” type bolts as required (not supplied). In any case it must be securely pinned to prevent tip over in case of accident or earthquake.
2. Lift fire box to sit in position over base frame and secure with screws supplied.
3. Lift hood assembly on top of fire box and locate in position. Use supplied screws to fix in position.

FLUE INSTALLATION

1. Fix flue lengths of stainless steel together. Ensure crimped ends face downwards for installation onto fire. The crimped end of the longer length goes in the un-crimped end of the shorter piece. Press into place firmly and fix flues together in 3 places equally apart around the circumference of the flue join. Fix additional flue lengths as necessary to raise flue to required height. It is strongly recommended that all joints are fully sealed with fire flue sealer, including the flue pipe connecting to the flue stub on the fire.
2. Install crimped end of these assembled sections of flue into the spigot on top of the fire box.
3. Place the 250mm black section of flue with crimped end up, over the stainless-steel flue pipe already installed. Slide flue casing down over flue spigot on fire hood spigot. Fix in position using 4 equally spaced stainless-steel screws or rivets around flue spigot. Add extra lengths as required. Ensure the inner flue extends above outer flue the correct length. Trim if necessary prior to fitting cowl.
4. Place flue spider spacer around stainless steel flue and slide down in position so it sits on top of 250mm casing and tighten bolt and nut on crimp ring to hold in position.
5. Slide cowl casing over the Stainless-steel flue and sit on spider spacer.
6. Fit cowl in position. Do not rivet as the cowl may need to be removed for flue cleaning and maintenance.

Note: Flue termination needs to be in clear air. Minimum requirement is, 1m above any structure if within 3m of it.



OPERATION

To start and maintain a good fire you need the following:

- Newspaper or fire lighter cubes.
- Box of matches, or gas match.
- Dry, finely split soft wood, such as pine.
- Dry, seasoned wood that has been split and stored for over 9 months since felling.

Prepare paper and kindling on fire grate. Light the paper or fire starters at as many places as practicable. When the kindling sticks have caught alight and are burning briskly, add more smallish pieces of wood to the fire in a criss-cross pattern, then adding larger pieces as the fire becomes well established. On the first use of the fire you may notice a faint smell from the paint curing. This smell will disappear and it is recommended that the fire is not allowed to get too fierce or used for cooking the first time it is lit, to burn off any unpleasant odours and cure the high temperature paint coat. Part of the paint curing process is that it is not fully cured until heated. A fire too hot too fast will burn the paint off before it has fully cured.

Often for the fire to burn properly you will need to burn the fire for 15 -20 minutes to get the chimney up to temperature so it pulls combustion products adequately through the appliance. Never operate the fire so that the fuel load is too large and may fall out of the fireplace. As the fire burns longer, you will be able to reduce the fuel load and be able to maintain a slower fire better for cooking purposes.

Use only dry seasoned split firewood in a range of sizes. Do not burn treated wood, painted wood, plywood MDF or particle board. The quality of fire wood used in any fire can dramatically affect the operation of it. Moisture content, tree species and size of wood used will all perform differently. Wet, green or unseasoned wood will smoke more than seasoned dry wood. A mix of species between hard and soft woods can be used. A dense hard wood will give a longer slower burn, while less dense wood like dry pine will bring the fire up to temperature more quickly.

DO NOT BURN TREATED TIMBER OR UNSEASONED WOOD.

MAINTENANCE

Your Kent Outdoor Fire features steel using moderate grade stainless steel and mild steel components. All steel including stainless steel require a level of care and protection to retain their appearance. **No steel is immune to corrosion and neither are they maintenance free.** Contrary to popular public perception, even the highest marine grade stainless steel requires frequent cleaning with fresh clean water to avoid oxidation and other corrosion.

Any steel product left out in the elements for extended periods require cleaning and care to maintain its quality appearance. Without adequate care it is realistic to expect that the fire will show signs of corrosion. All Steel will rust if not looked after.

After assembly, we recommend that the owners apply a thin layer of olive oil with a clean rag to all exposed steel areas. This should be polished in and buffed off with another clean rag to a non-oily finish. This will protect your steel fire from the elements and needs to be repeated a few times a year. The olive oil layer also makes later polishing and cleaning easier. The environment and how often the fire is used will also determine how frequently it will be necessary to reapply to ensure your outdoor fire stays looking great.

All Kent wood fires are finished in high temperature paint. If marks or scratches occur, it can be easily touched up using stove paint. Any rust or other stubborn marks that may appear can be removed with the help of steel wool and hot soapy water and re-painted if necessary. The inside of the fire box generally only needs to be cleaned with a soft brush. If the fire is left for long periods between fires or at the end of each season, spray the inside with high temperature stove bright paint to help protect the steel. Touch-up cans are available from your Kent stockist. This will also extend the life of the fire.

Note: The fire is not warranted from rust. When the fire is not in use it is recommended that the stainless steel cover is fitted at all times. This will assist in protecting the fire box.

Important notes

Care should be taken the fire never encounters rapid cooling as the sudden changing temperature could cause the steel fire box construction to buckle or warp.

- This fire is for outdoor use only.
- Minimum clearance to combustibles; Sides 1000mm, Rear 300mm, Front 1000mm Above = unobstructed.
- Never leave a lit fire unattended.
- Do not over load your fire.
- Never leave wet ashes in the base of the fire place.
- Keep some means of extinguishing the fire handy. A hose, fire extinguisher or even a bucket of sand.
- Do not place articles on or against this appliance.
- Children should be closely supervised when they are in the area of this appliance.
- Do not spray aerosols in the vicinity of this appliance while it is in operation.
- A flue sweep is recommended annually.

WARRANTY

Your Kent Outdoor Fire is warranted from purchase date for 12 months on the fire box against defects in workmanship and material. Aber Holdings reserves the right to repair or replace the appliance within the warranty period. Warranty does not cover corrosion, loss, injury or damage occasioned by or as a result of misuse, abuse, neglect, modifications or if the product has not been installed, cared for and used in accordance with these instructions.

Your Kent wood fire must be installed in accordance with the manufacturer's instructions and all applicable standards, regulations and by-laws. Your Kent wood fire must be installed with an approved flue system. Subject to any statutory provisions to the contrary, Aber Holdings is not liable for any other consequential loss or damage to property either directly or indirectly caused from this appliance.

Exclusions deemed to be outside the scope of general warranty;

- Removal of product from the purchasers home or problems caused by removal or improper installation of the appliance.
- Conditions considered caused by failure to operate and maintain the product in accordance with these instructions.
- (Commercial situations are warranted for 3 months from purchase date)

KENT WARRANTY REGISTRATION

Please keep this copy for your records.

MODEL:.....

RETAILER:.....

PURCHASE DATE:.....

ATTACH PROOF OF PURCHASE HERE.....

(Please keep your proof of purchase attached to your warranty record)



Kent products are distributed by: Aber Holdings Ltd T/A Aber Living, 17 Mainstreet Place, Te Rapa, Hamilton 3200
Free Phone: 0800 161 161 | Free Fax: 0800 163 163 | www.aberliving.co.nz

Approved for Outdoor Use Only

For service, spare parts or product information in New Zealand, please call
Aber Living on the Customer Service Line - 0800 161 161. www.aberliving.co.nz



Kent products are distributed by:
Aber Holdings Ltd T/A Aber Living
17 Mainstreet Place, Te Rapa, Hamilton 3200
Free Phone: **0800 161 161** | Free Fax: **0800 163 163**
www.aberliving.co.nz

kent.co.nz